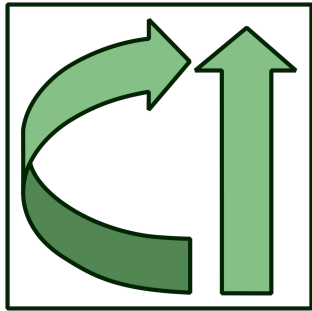


CILogon 2.0



Jim Basney
Scott Koranda



This material is based upon work supported by the National Science Foundation under grant numbers 0850557, 0943633, 1053575, 1440609, and 1547268 and by the Department of Energy under award number DE-SC0008597. Any opinions, findings, and conclusions or recommendations expressed in this material are those of the authors and do not necessarily reflect the views of the United States Government or any agency thereof.

Project Goals

- ❑ CILogon-COmanage Integration
- ❑ VO collaboration management
- ❑ International Interfederation (eduGAIN)
- ❑ Supporting Campus Cyberinfrastructure (LDAP and SSH Key Management)
- ❑ Levels of Assurance and Multi-factor Authentication
- ❑ Web Single Sign-On Gateway (IdPoLR, SAML AA, SAML-OIDC, ORCID)

Team Members



- ❑ Jim Basney
- ❑ Terry Fleury
- ❑ Jeff Gaynor
- ❑ Venkat Yekkirala
- ❑ Heather Flanagan
- ❑ Scott Koranda
- ❑ Benn Oshrin
- ❑ Arlen Johnson

Science Partners

- ❑ NANOGrav Physics Frontiers Center
- ❑ Laser Interferometer Gravitational-Wave Observatory (LIGO)
- ❑ Data Observation Network for Earth (DataONE)

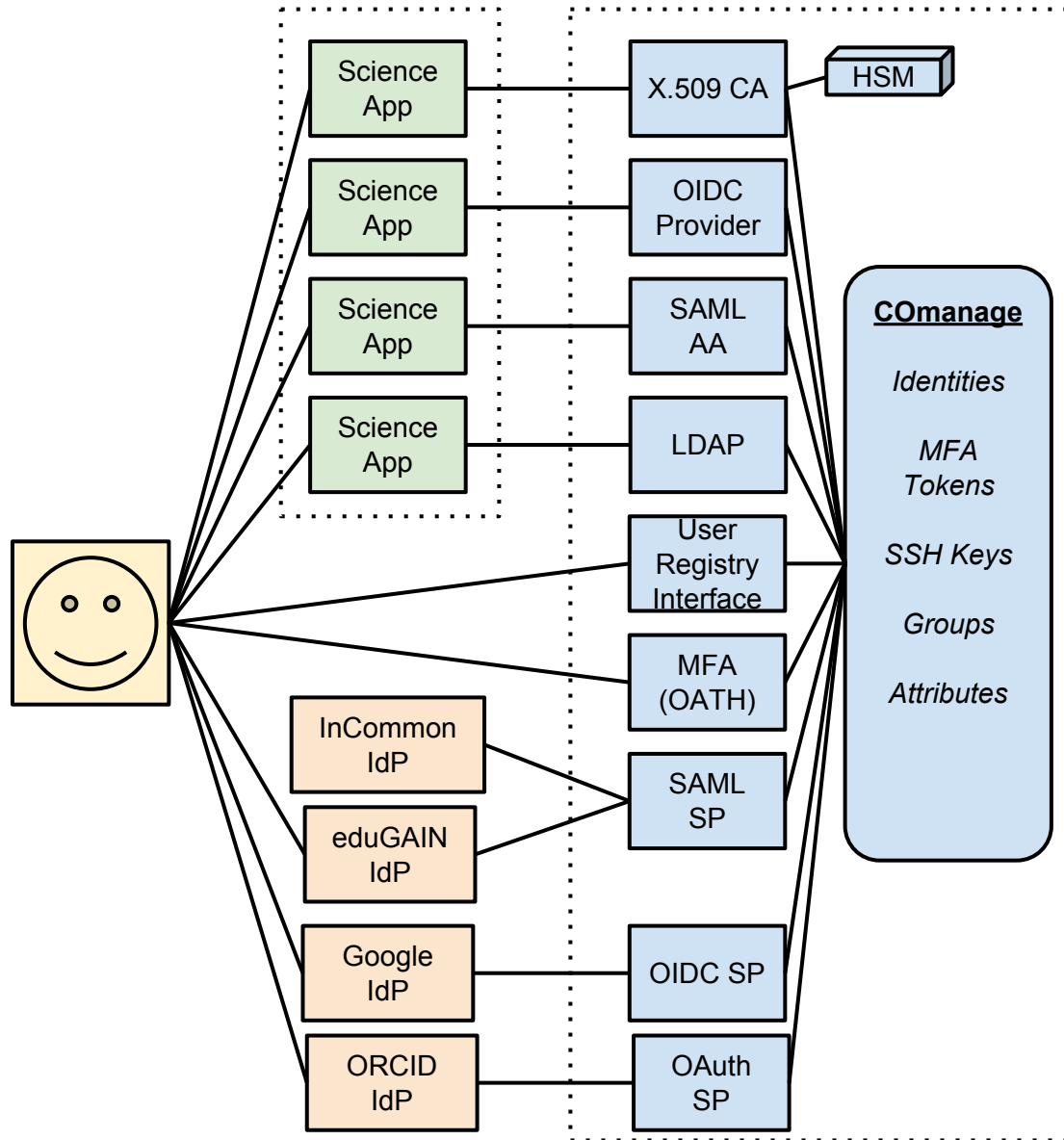


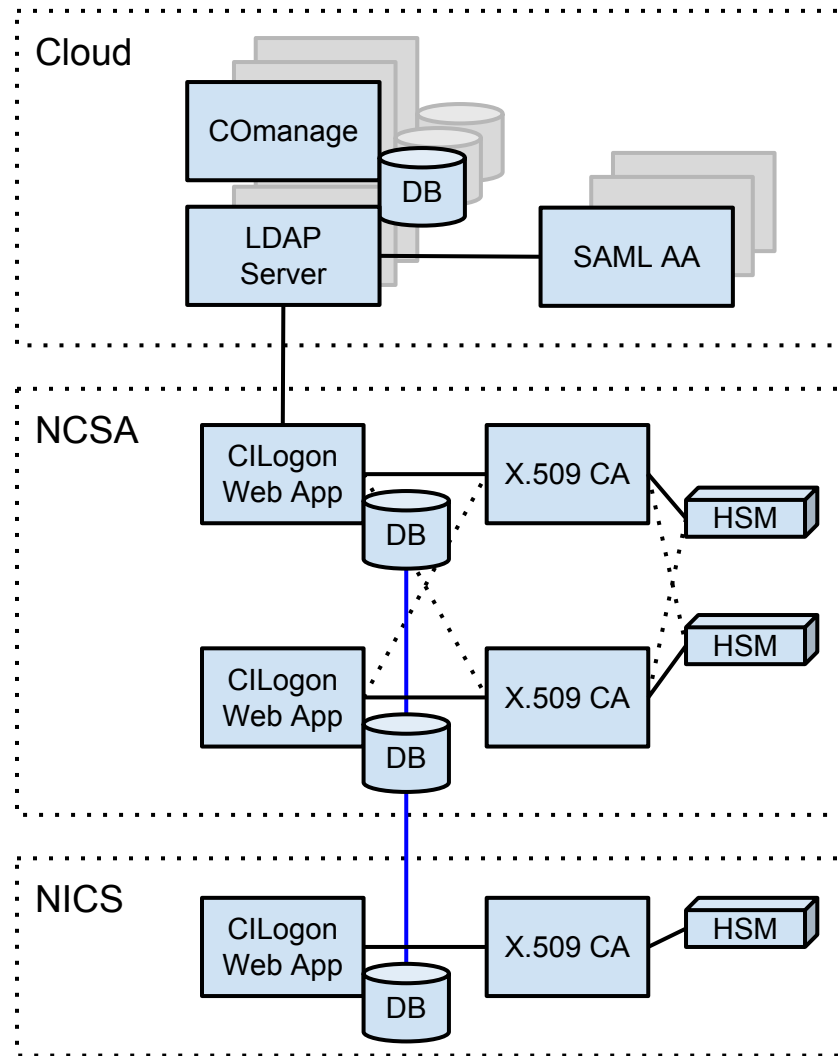
Cyberinfrastructure Partners

XSEDE

Extreme Science and Engineering
Discovery Environment







SAML to OpenID Connect Gateway

- ❑ Supporting only e-Science clients
 - ❑ Client review & approval by CILogon staff
 - ❑ Compatible with R&S? New entity category?
- ❑ User consent based on requested scopes
 - ❑ openid, profile, email
 - ❑ org.cilogon.userinfo (eppn, affiliation)
 - ❑ edu.uiuc.ncsa.myproxy.getcert
(to allow X.509 certificate issuance)
 - ❑ VO attributes



mod_auth_openidc tester requests access to the following information. If you do not approve this request, do not proceed.

- Your CILogon username
- Your name
- Your email address
- Your username and affiliation from your identity provider
- A certificate that allows "mod_auth_openidc tester" to act on your behalf

Select An Identity Provider:

- University of Houston Libraries
- University of Illinois at Chicago
- University of Illinois At Springfield
- University of Illinois at Urbana-Champaign

Search:

Remember this selection:

LOG ON

By selecting "Log On", you agree to CILogon's privacy policy.



OpenID Connect Claims

- ❑ Including eduPerson attributes in OIDC ID Token claims
 - ❑ Standard OIDC claims: name and email
 - ❑ eduPersonScopedAffiliation
 - ❑ Use IANA JSON Web Token Claims registry?

Thanks!

`jbasney@ncsa.illinois.edu`

`skoranda@sphericalcowgroup.com`